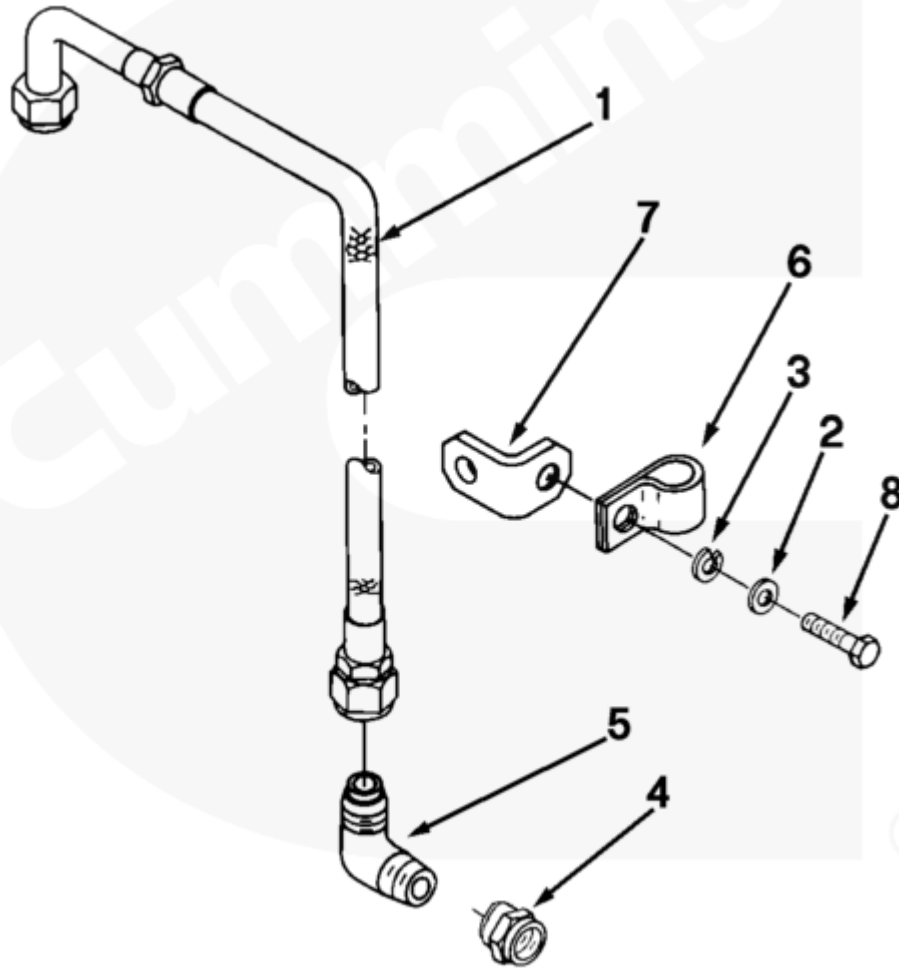




Parts Catalog - Option Detail

Electronic Parts Catalog - Option Detail				
Option	Group	Graphic	Film Card	Date
RG1714	16.05	rg100gd	F	15-SEP-94
Engines	NH/NT 855, NT495, NT743, NTA855 N106			

©Cummins Inc



rg100gd

[SMALL](#) | [MEDIUM](#) | [LARGE](#)

Cart	Ref No	Part Number	Part Description	Required	Remarks
<input type="button" value="View My Cart"/>					
		RG1714	Marine Gear Hose		Plumbing from marine gear to...(More)
					gear oil pressure gauge in

					enclosed instrument panel.
					For MG509, MG514, and MG510
					marine gears. Use with
					instrument panel mounted to
					air cleaner bracket in either
					port or starboard location.
<input type="checkbox"/>	1	AK 4070 SS	Flexible Hose	1	
<input type="checkbox"/>	2	S 602	Plain Washer	1	3/8 in.
<input type="checkbox"/>	3	S 604	Lock Washer	1	3/8 in.
<input type="checkbox"/>	4	S 1059	Plain Pipe Coupling	1	
<input type="checkbox"/>	5	68139	Male Adapter Elbow	1	1/8 NPTF X 7/16 - 20 (90).
<input type="checkbox"/>	6	68152	Clip	1	# 4
<input type="checkbox"/>	7	68190	Tube Brace	1	
<input type="checkbox"/>	8	137795	Hexagon Head Cap Screw	1	3/8 - 16 x 5/8 in.